



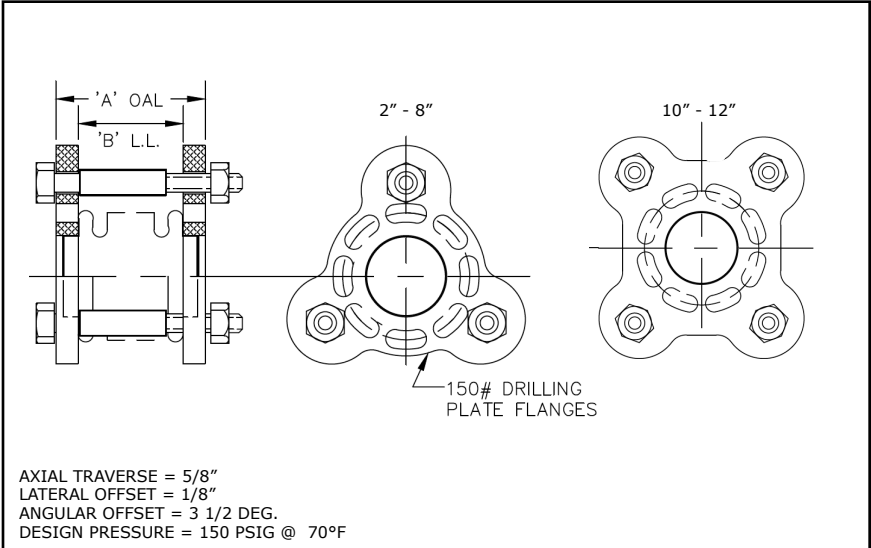
HVAC Products

SUBMITTAL

Mar 2018

152 SERIES PUMP CONNECTOR W/150# PLATE FLANGES & TIE RODS

PROJECT:	
CUSTOMER:	
ENGINEER:	
ARCHITECT:	



MATERIALS OF CONSTRUCTION	
BELLOWS:	T-304 STN STL
FLANGES:	CARBON STEEL
BOLT/NUT & SLEEVE:	CARBON STEEL

QTY	ID # OR TAG #	BELLOWS NOM SIZE	FLANGE DIAMETER (IN)	KEFLEX PART #	'B' LL	'A' OAL	3D Model (.stp)
		2"	2 1/2 X 2	F020152TR1215A	3 1/2"	5"	
		2"	3 X 2	F020152TR1215B	3 1/2"	5"	
		2 1/2"	3 X 2 1/2	F024152TR1215	3 1/2"	5"	
		3"	4 X 3	F030152TR1215	3 1/2"	5"	
		4"	5 X 4	F040152TR1215E	3 1/2"	5"	
		4"	6 X 4	F040152TR1215F	3 1/2"	5"	
		4"	8 X 4	F040152TR1215G	3 1/2"	5"	
		5"	6 X 5	F050152TR1215	3 1/2"	5"	
		6"	8 X 6	F060152TR1215	3 1/2"	5"	
		8"	10 X 8	F080152TR1215	3 1/2"	5"	
		10"	12 X 10	F100152TR1215	3 1/2"	5"	

IMPORTANT LINKS	
BROCHURE:	
INSTALLATION INSTRUCTIONS:	
TECHNICAL DATA:	
WEBSITE:	KELCOIND.COM



MADE IN THE USA

**1425 LAKE AVE
 WOODSTOCK, IL 60098
 815-334-3600**