



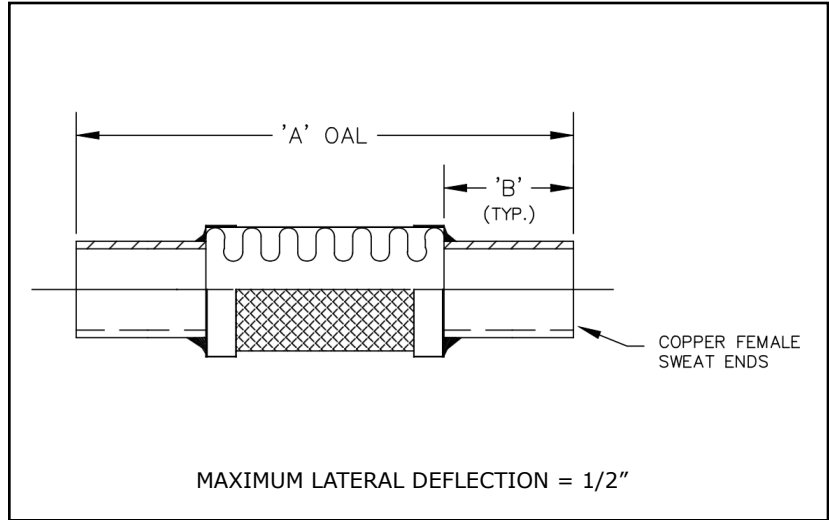
HVAC Products

# SUBMITTAL

Mar 2018

## BRONZE BRAIDED FLEXIBLE CONNECTOR FEMALE SWEAT ENDS LONG LENGTH

PROJECT:	
CUSTOMER:	
ENGINEER:	
ARCHITECT:	



MATERIALS OF CONSTRUCTION	
HOSE:	PHOS BRONZE
BRAID:	PHOS BRONZE
END FITTINGS:	COPPER

QTY	ID # OR TAG #	HOSE DIAMETER (IN)	KEFLEX PART #	PRESSURE @ 70°F	'B' REF	'A' OAL	3D Model (.stp)
		1/2"	F004KFCBCTF	700	1 1/16"	10"	
		3/4"	F006KFCBCTF	570	1 9/16"	11"	
		1"	F010KFCBCTF	460	1 7/8"	12"	
		1 1/4"	F012KFCBCTF	360	2"	13"	
		1 1/2"	F014KFCBCTF	320	2 1/4"	14"	
		2"	F020KFCBCTF	310	2 3/4"	15"	
		2 1/2"	F024KFCBCTF	270	3 1/8"	16"	
		3"	F030KFCBCTF	210	3 1/2"	17"	
		4"	F040KFCBCTF	140	4 1/2"	20"	

FOR PHOS BRONZE BRAID ABOVE 70°F	
TEMP °F	FACTOR
70	1.00
200	0.86
300	0.83
400	0.78



**WATER QUALITY**  
 NOTE: FOR SAFE WORKING PRESSURE MULTIPLY PRESSURE RATING AT 70°F BY THE APPLICABLE CORRECTION FACTOR

PROCESS MEDIA  
 NSF/ANSI/CAN 61-2022  
 NSF/ANSI/CAN 372-2022  
 MH65354

IMPORTANT LINKS	
BROCHURE:	
INSTALLATION INSTRUCTIONS:	
WEBSITE:	<a href="http://KELCOIND.COM">KELCOIND.COM</a>



MADE IN THE USA

**1425 LAKE AVE  
 WOODSTOCK, IL 60098  
 815-334-3600**