



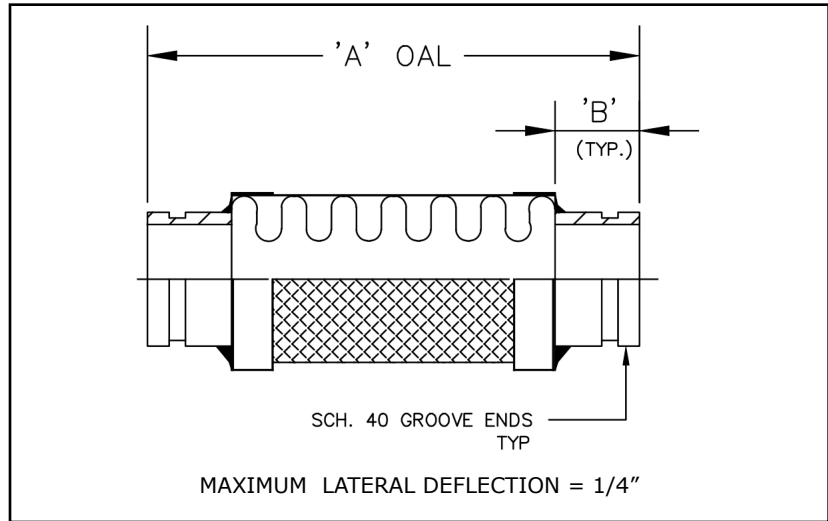
HVAC Products

SUBMITTAL

Mar 2018

GOLD SERIES -STAINLESS STEEL BRAIDED HOSE ASSEMBLY GROOVE ENDS

PROJECT:	
CUSTOMER:	
ENGINEER:	
ARCHITECT:	



MATERIALS OF CONSTRUCTION	
HOSE:	T-321 SS
BRAID:	T-304 SS
END FITTINGS:	CARBON STEEL

QTY	ID # OR TAG #	HOSE DIAMETER (IN)	KEFLEX PART #	PRESSURE @ 70°F	LAT. DEFL.	'B' REF	'A' OAL	3D Model (.stp)
		2"	F020KFCSGR	510	1/4"	3"	12"	
		2 1/2"	F024KFCSGR	380	1/4"	3"	14"	
		3"	F030KFCSGR	310	1/4"	3"	14"	
		4"	F040KFCSGR	230	1/4"	3"	16"	
		5"	F050KFCSGR	190	1/4"	3"	17"	
		6"	F060KFCSGR	165	1/4"	3"	18"	
		8"	F080KFCSGR	230	1/4"	4"	20"	
		10"	F100KFCSGR	230	1/4"	4"	24"	
		12"	F120KFCSGR	160	1/4"	4"	25"	

FOR T-304 SS BRAID ABOVE 70°F	
TEMP °F	FACTOR
70	1.00
200	0.91
300	0.85
400	0.78
500	0.77
600	0.76



PROCESS MEDIA
NSF/ANSI/CAN 61-2022
NSF/ANSI/CAN 372-2022
MH65354

NOTE: FOR SAFE WORKING PRESSURE MULTIPLY PRESSURE RATING AT 70°F BY THE APPLICABLE CORRECTION FACTOR

IMPORTANT LINKS	
BROCHURE:	
INSTALLATION INSTRUCTIONS:	
WEBSITE:	KELCOIND.COM



MADE IN THE USA

1425 LAKE AVE
WOODSTOCK, IL 60098
Ph: 815-334-3600