



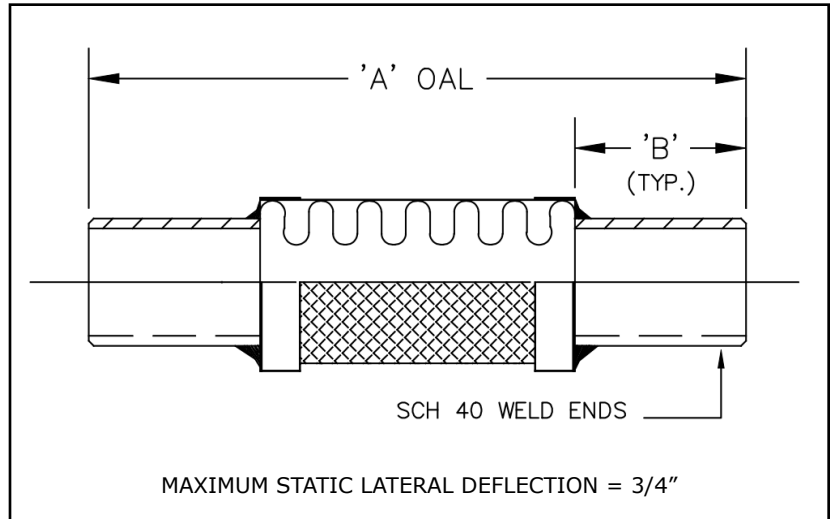
HVAC Products

SUBMITTAL

Mar 2018

GOLD SERIES -STAINLESS STEEL BRAIDED HOSE ASSEMBLY WELD ENDS STATIC LATERAL OFFSET

PROJECT:	
CUSTOMER:	
ENGINEER:	
ARCHITECT:	



MATERIALS OF CONSTRUCTION	
HOSE:	T-321 SS
BRAID:	T-304 SS
END FITTINGS:	CARBON STEEL

QTY	ID # OR TAG #	HOSE DIAMETER (IN)	KEFLEX PART #	PRESSURE @ 70°F	LAT. DEFL.	'B' REF	'A' OAL	3D Model (.stp)
		2 1/2"	F024GSKFCSWE	380	3/4"	2 1/4"	13 1/2"	
		3"	F030GSKFCSWE	310	3/4"	2 1/4"	13 7/8"	
		4"	F040GSKFCSWE	230	3/4"	2 1/4"	15"	
		5"	F050GSKFCSWE	190	3/4"	2 1/4"	16 5/8"	
		6"	F060GSKFCSWE	165	3/4"	2 1/4"	17 1/8"	
		8"	F080GSKFCSWE	230	3/4"	3"	19 3/8"	
		10"	F100GSKFCSWE	230	3/4"	3"	21 3/4"	
		12"	F120GSKFCSWE	160	3/4"	3"	22 3/8"	

FOR T-304 SS BRAID ABOVE 70°F	
TEMP °F	FACTOR
70	1.00
200	0.91
300	0.85
400	0.78
500	0.77
600	0.76



PROCESS MEDIA
NSF/ANSI/CAN 61-2022
NSF/ANSI/CAN 372-2022
MH65354

NOTE: FOR SAFE WORKING PRESSURE MULTIPLY PRESSURE RATING AT 70°F BY THE APPLICABLE CORRECTION FACTOR

IMPORTANT LINKS	
BROCHURE:	
INSTALLATION INSTRUCTIONS:	
WEBSITE:	KELCOIND.COM



MADE IN THE USA

1425 LAKE AVE
WOODSTOCK, IL 60098
Ph: 815-334-3600