



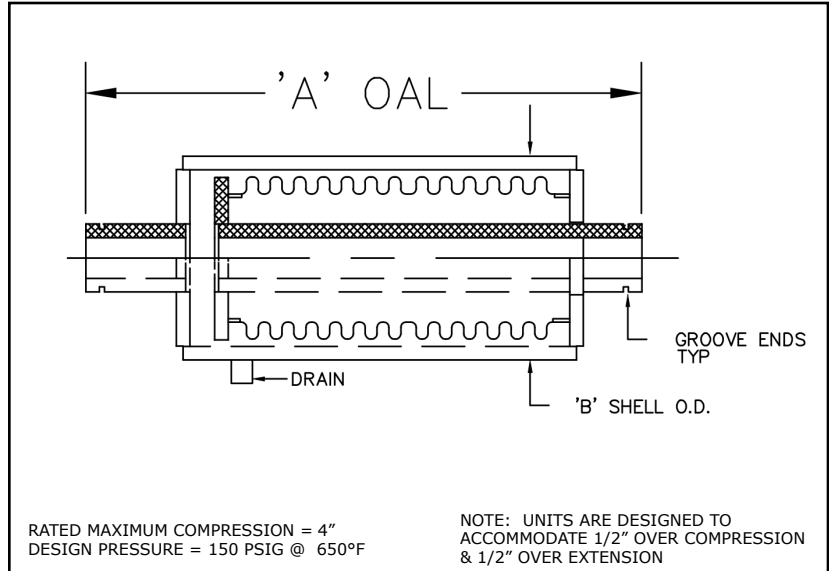
HVAC Products

# SUBMITTAL

Mar 2018

**EXTERNALLY PRESSURIZED EXPANSION JOINT 150# 4" COMPRESSION W/GROOVE ENDS**

PROJECT:	
CUSTOMER:	
ENGINEER:	
ARCHITECT:	



MATERIALS OF CONSTRUCTION	
BELLOW:	300 SERIES STAINLESS STEEL
PIPE:	CARBON STEEL SCH. STD.
PLATES:	CARBON STEEL

QTY	ID # OR TAG #	DIAMETER (IN)	KEFLEX PART #	PRESSURE THRUST @ DESIGN PRES.	'A' OAL	'B' SHELL O.D.	SPRING RATE (LB/IN)	3D Model (.stp)
		1"	F010SEP04MVGS	1200 LBF	22"	4 1/2"	40	
		1 1/4"	F012SEP04MVGS	1200 LBF	22 1/2"	4 1/2"	40	
		1 1/2"	F014SEP04MVGS	1200 LBF	22 1/2"	4 1/2"	40	
		2"	F020SEP04MVGS	1200 LBF	23"	4 1/2"	40	
		2 1/2"	F024SEP21MVGS	3000 LBF	25 7/8"	6 5/8"	160	
		3"	F030SEP21MVGS	3000 LBF	25 7/8"	6 5/8"	160	
		3 1/2"	F034SEP21MVGS	3000 LBF	25 7/8"	6 5/8"	160	
		4"	F040SEP21MVGS	4500 LBF	25 1/4"	8 5/8"	165	
		5"	F050SEP21MVGS	10100 LBF	26 3/8"	10 3/4"	320	
		6"	F060SEP21MVGS	10100 LBF	26 3/8"	10 3/4"	320	
		8"	F080SEP21MVGS	12250 LBF	24 3/4"	12 3/4"	440	
		10"	F100SEP21MVGS	18300 LBF	24 3/4"	16"	490	
		12"	F120SEP21MVGS	25200 LBF	24 3/4"	18"	850	

IMPORTANT LINKS	
BROCHURE:	
INSTALLATION INSTRUCTIONS:	
WEBSITE:	<a href="http://KELCOIND.COM">KELCOIND.COM</a>



MADE IN THE USA

**1425 LAKE AVE  
WOODSTOCK, IL 60098  
Ph: 815-334-3600**